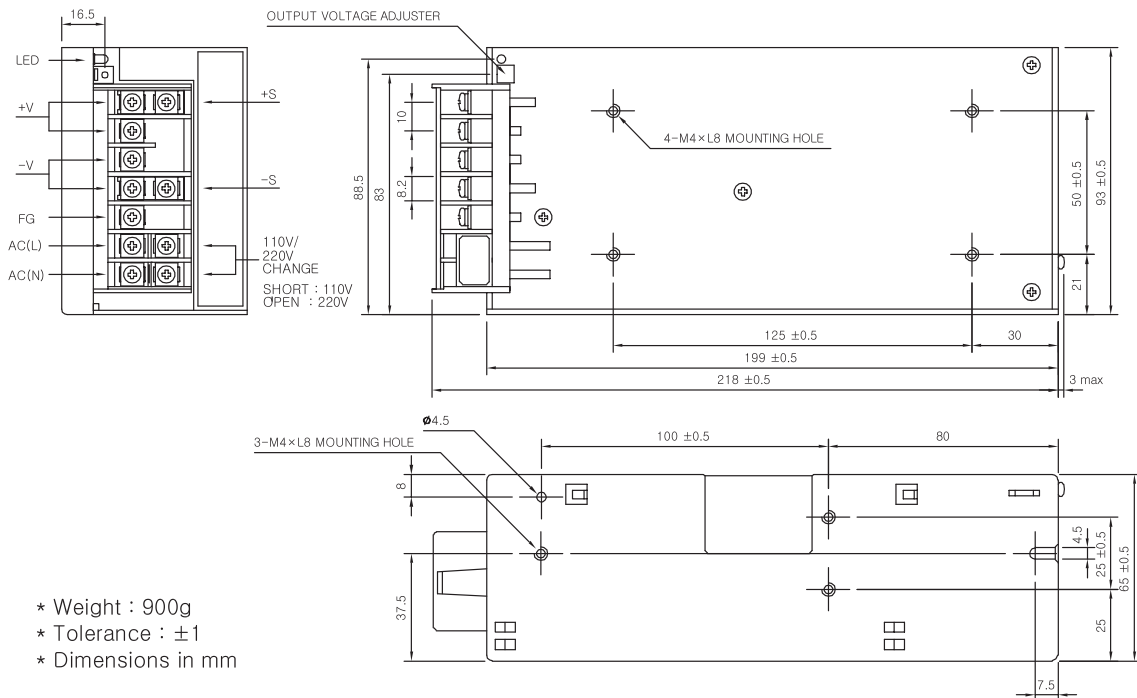




VSF150-S SPECIFICATIONS

MODEL		VSF150-05	VSF150-09	VSF150-12	VSF150-15	VSF150-24
INPUT	VOLTAGE, FREQUENCY	AC100-120V / 200-240V (AC85-132V / 170-264V or DC240-370V), 50/60Hz (47-440Hz or DC)				
	CURRENT	100V~3.7A, 200V~2.1A				
	EFFICIENCY (AC220V)	78% typ	80% typ	80% typ	82% typ	83% typ
	INRUSH CURRENT	20A typ (ACIN 110V, I _o =100%), 40A typ (ACIN 220V, I _o =100%) at cold start.				
OUTPUT	VOLTAGE [V]	5	9	12	15	24
	CURRENT [A]	30	17	13	10	6.5
	REGULATION, LINE [mV]	25 Max	45 Max	60 Max	75 Max	120 Max
	REGULATION, LOAD [mV]	50 Max	90 Max	120 Max	150 Max	240 Max
	RIPPLE [mVp-p]	50 Max	90 Max	120 Max	150 Max	240 Max
	RIPPLE, NOISE [mVp-p]	100 Max	140 Max	170 Max	200 Max	290 Max
	TEMPERATURE DRIFT -10~+50°C [mV]	75 Max	135 Max	180 Max	225 Max	360 Max
	RISE TIME [ms]	500 Max (ACIN 110V/220V I _o =100%)				
	HOLDING TIME [ms]	16 typ (ACIN 110V/220V, I _o =100%)				
PROTECTION CIRCUIT	OVER CURRENT PROTECTION	Works at over 110% of rating and recovers automatically				
	OVER VOLTAGE PROTECTION	Works at 115~140% of rating				
ELECTRICALLY ISOLATED	INPUT-OUTPUT	AC3,000V 1 minute current 20mA, DC 500V 100MΩ (At room temperature & Humidity)				
	INPUT-CASE, FG	AC2,000V 1 minute current 20mA, DC 500V 100MΩ (At room temperature & Humidity)				
	OUTPUT-CASE, FG	AC500V 1 minute current 100mA, DC 500V 100MΩ (At room temperature & Humidity)				
ENVIRONMENT	OPERATING TEMP AND HUMID	-10~+50°C, 20~90% RH(Non condensing)				
	STORAGE TEMP AND HUMID	-20~+75°C, 20~90% RH(Non condensing)				
	VIBRATION	10~55Hz at 1G, 3 minutes period, 30 minutes along X, Y and Z axis				
	IMPACT	10G for 20ms once on each X, Y and Z axis				
SAFETY	SAFETY REGULATION	CE	-	CE	CE	CE
	LINE CONDUCTED RF VOLTAGE	-				

VSF150-S EXTERNAL VIEW



- * Weight : 900g
- * Tolerance : ±1
- * Dimensions in mm