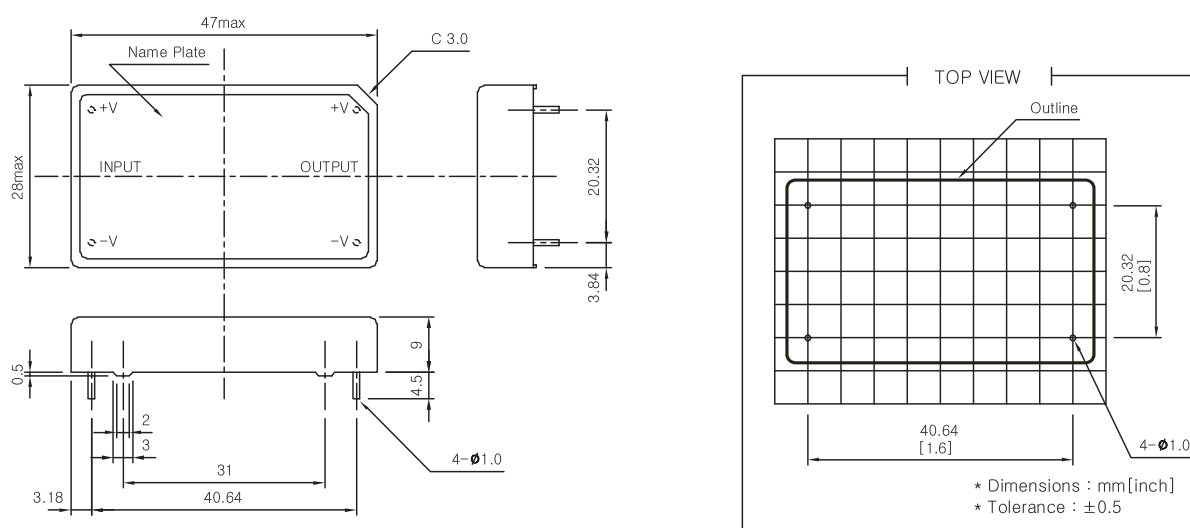


PS SERIES (SINGLE OUTPUT)

PS03-S SPECIFICATIONS

	MODEL	PS03-0505	PS03-0512	PS03-0515	PS03-1205	PS03-1212	PS03-1215	PS03-2405	PS03-2412	PS03-2415	PS03-4805	PS03-4809	PS03-4812	PS03-4815
INPUT	VOLTAGE	DC5V(4.7~7.2V)			DC12V(9.0~18V)			DC24V(18~36V)			DC48V(36~72V)			
	EFFICIENCY	68%	70%	70%	73%	75%	75%	73%	75%	75%	73%	78%	75%	75%
OUTPUT	VOLTAGE [V]	5	12	15	5	12	15	5	12	15	5	9	12	15
	CURRENT [A]	0.6	0.24	0.2	0.6	0.24	0.2	0.6	0.24	0.2	0.6	0.28	0.24	0.2
	REGULATION, LINE [mV]	20Max	50Max	60Max	20Max	50Max	60Max	20Max	50Max	60Max	20Max	40Max	50Max	60Max
	REGULATION, LOAD [mV]	30Max	70Max	90Max	30Max	70Max	90Max	30Max	70Max	90Max	30Max	60Max	70Max	90Max
	RIPPLE [mVp-p]	80Max	120Max	150Max	80Max	120Max	150Max	80Max	120Max	150Max	80Max	90Max	120Max	150Max
	RIPPLE, NOISE [mVp-p]	120Max	150Max	150Max	120Max	150Max	150Max	120Max	150Max	150Max	120Max	135Max	150Max	150Max
	TEMPERATURE DRIFT -10~+50°C [mV]	90Max	216Max	270Max	90Max	216Max	270Max	90Max	216Max	270Max	90Max	162Max	216Max	270Max
	OUTPUT VOLTAGE SETTING [%]	±5% Max (Output voltage is adjustable by the external potentiometer)												
PROTECTION CIRCUIT	OVER CURRENT PROTECTION	Works at over 105% of rating and recovers automatically												
ELECTRICALLY ISOLATED	INPUT-OUTPUT	AC500V 1 minute, current 10mA, DC500V More Than 100MΩ												
	INPUT-CASE	AC500V 1 minute, current 10mA, DC500V More Than 100MΩ												
	OUTPUT-CASE	AC500V 1 minute, current 10mA, DC500V More Than 100MΩ												
ENVIRONMENT	OPERATING TEMP AND HUMID	-20~+70°C, 20~95%RH (Non Condensing)												
	STORAGE TEMP AND HUMID	-40~+85°C, 20~95%RH (Non Condensing)												
	VIBRATION	10~55Hz at 10G, 3 minutes' period for 60 minutes each along X,Y and Z axis												
	IMPACT	10G for 20ms once on each X, Y and Z axis												

PS03-S EXTERNAL VIEW



- * Weight : 25g
- * Tolerance : ±0.5
- * Dimensions in mm