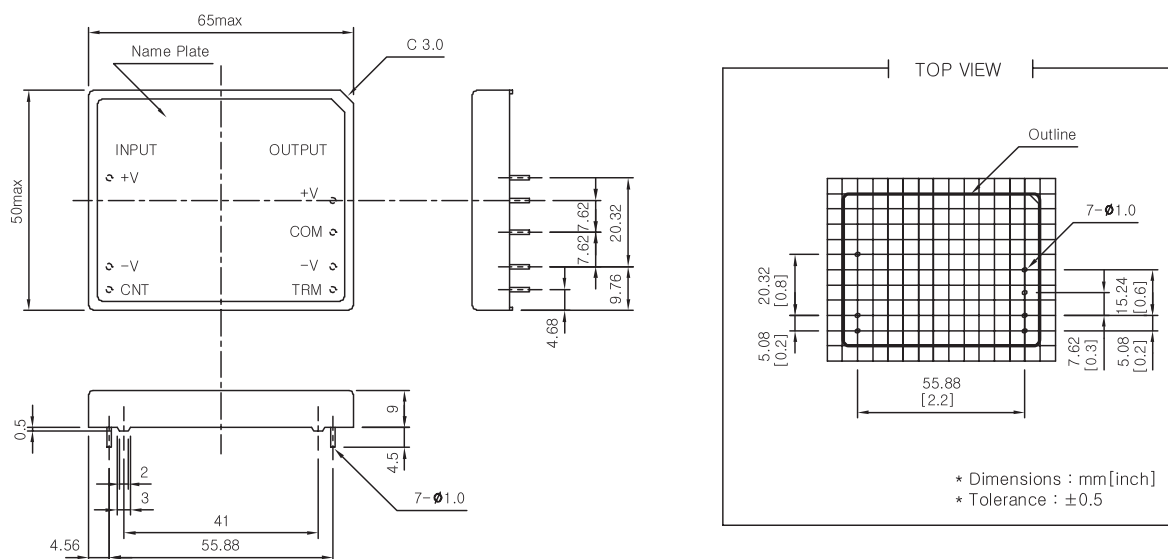


**PD SERIES (DUAL OUTPUT)**

**PD25-S SPECIFICATIONS**

MODEL		PD25-121212	PD25-151515	PD25-240512	PD25-241212	PD25-241515	PD25-481212	PD25-481515	
INPUT	VOLTAGE	DC12V(9~18V)		DC24V(18~36V)			DC48V(36~72V)		
	EFFICIENCY	80%	80%	75%	82%	82%	84%	84%	
OUTPUT	VOLTAGE [V]	±12	±15	+05/+12	±12	±15	±12	±15	
	CURRENT [A]	1.05	0.85	2.5 / 0.75	1.05	0.85	1.05	0.85	
	REGULATION, LINE [mV]	60Max	75Max	20Max/60Max	60Max	75Max	60Max	75Max	
	REGULATION, LOAD [mV]	600Max	750Max	250Max/600Max	600Max	750Max	600Max	750Max	
	RIPPLE [mVp-p]	120Max	120Max	80Max/120Max	120Max	120Max	120Max	120Max	
	RIPPLE, NOISE [mVp-p]	150Max	150Max	120Max/150Max	150Max	150Max	150Max	150Max	
	TEMPERATURE DRIFT -10~+50°C [mV]	216Max	270Max	90Max/216Max	216Max	270Max	216Max	270Max	
	OUTPUT VOLTAGE SETTING [%]	±5% Max (Output voltage is adjustable by the external potentiometer)							
PROTECTION CIRCUIT	OVER CURRENT PROTECTION	Works at over 105% of rating and recovers automatically.							
	OVER CURRENT PROTECTION	Works at over 115%~140% of rating.							
ELECTRICALLY ISOLATED	INPUT-OUTPUT	AC500V 1 minute, current 10mA, DC500V More Than 100MΩ							
	INPUT-CASE	AC500V 1 minute, current 10mA, DC500V More Than 100MΩ							
	OUTPUT-CASE	AC500V 1 minute, current 10mA, DC500V More Than 100MΩ							
ENVIRONMENT	OPERATING TEMP AND HUMID	-20~+70°C, 20~95%RH (Non Condensing)							
	STORAGE TEMP AND HUMID	-40~+85°C, 20~95%RH (Non Condensing)							
	VIBRATION	10~55Hz at 10G, 3minutes period for 60 minutes each along X,Y and Z axis							
	IMPACT	10G for 20ms once on each X, Y and Z axis							

**PD25-S EXTERNAL VIEW**



- \* Weight : 55g
- \* Tolerance : ±0.5
- \* Dimensions in mm