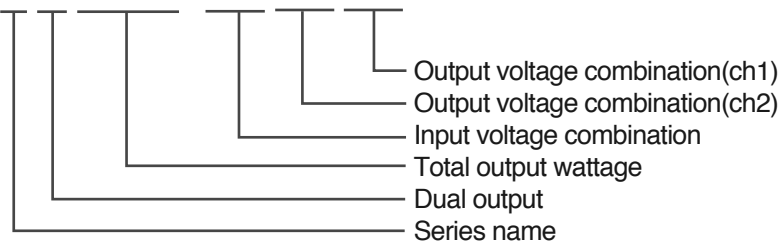


## PD SERIES (DUAL OUTPUT)

## ORDERING INFORMATION

### PD1R5-051212



High quality and reliability

- Thin profile(9.0mm thick)
- Isolated output
- Over current protection
- Over voltage protection(PD15, 25)
- 3 years warranty
- Output pins can be connected in series to make a 24V/30V output

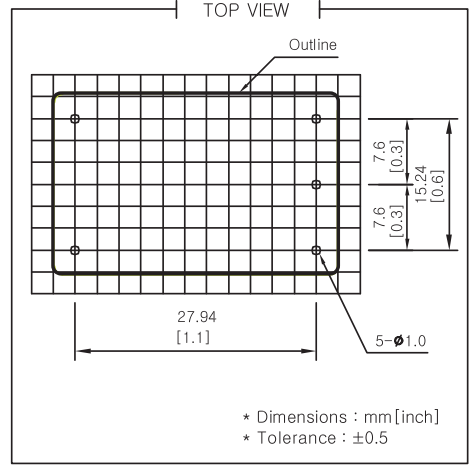
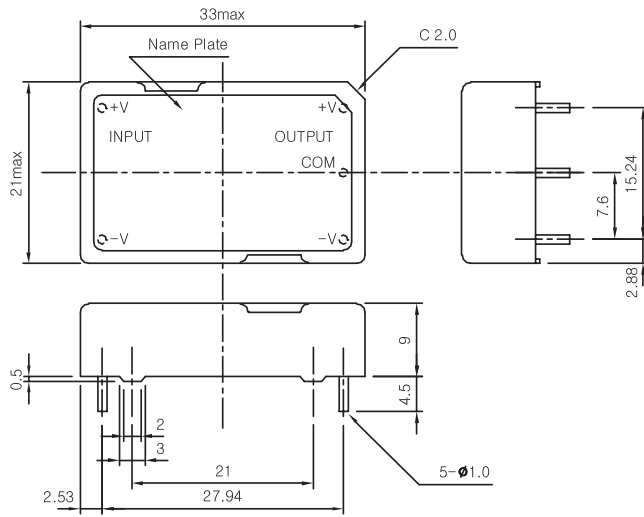
※ For delivery, Contact our sales office.



## PD1R5-S SPECIFICATIONS

MODEL		PD1R5-051212	PD1R5-051515	PD1R5-121212	PD1R5-121515	PD1R5-241212	PD1R5-241515	PD1R5-481212	PD1R5-481515	
INPUT	VOLTAGE	DC5V(4.7~7.2V)		DC12V(9~18V)		DC24V(18~36V)		DC48V(36~72V)		
	EFFICIENCY	60%	60%	60%	60%	60%	60%	60%	60%	
OUTPUT	VOLTAGE [V]	±12	±15	±12	±15	±12	±15	±12	±15	
	CURRENT [mA]	65	50	65	50	65	50	65	50	
	REGULATION, LINE [mV]	60Max	75Max	60Max	75Max	60Max	75Max	60Max	75Max	
	REGULATION, LOAD [mV]	600Max	750Max	600Max	750Max	600Max	750Max	600Max	750Max	
	RIPPLE [mVp-p]	120Max	120Max	120Max	120Max	120Max	120Max	120Max	120Max	
	RIPPLE, NOISE [mVp-p]	150Max	150Max	150Max	150Max	150Max	150Max	150Max	150Max	
	TEMPERATURE DRIFT -10~+50°C [mV]	216Max	270Max	216Max	270Max	216Max	270Max	216Max	270Max	
OUTPUT VOLTAGE SETTING [%]	±5% Max (Output voltage is adjustable by the external potentiometer)									
PROTECTION CIRCUIT	OVER CURRENT PROTECTION	Works at over 105% of rating and recovers automatically								
ELECTRICALLY ISOLATED	INPUT-OUTPUT	AC500V 1 minute, current 10mA, DC500V More Than 100MΩ								
	INPUT-CASE	AC500V 1 minute, current 10mA, DC500V More Than 100MΩ								
	OUTPUT-CASE	AC500V 1 minute, current 10mA, DC500V More Than 100MΩ								
ENVIRONMENT	OPERATING TEMP AND HUMID	-20~+70°C, 20~95%RH (Non Condensing)								
	STORAGE TEMP AND HUMID	-40~+85°C, 20~95%RH (Non Condensing)								
	VIBRATION	10~55Hz at 10G, 3 minutes' period for 60 minutes each along X,Y and Z axis								
	IMPACT	10G for 20ms once on each X, Y and Z axis								

**PD1R5-S EXTERNAL VIEW**



- \* Weight : 15g
- \* Tolerance : ±0.5
- \* Dimensions in mm