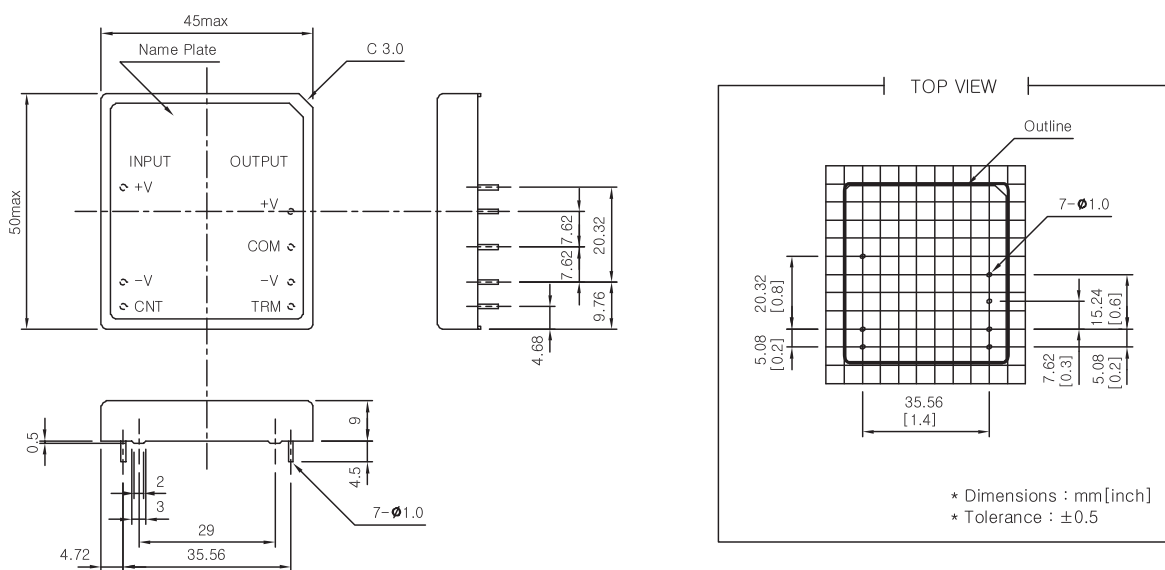


PD15-S SPECIFICATIONS

MODEL		PD15-121212	PD15-121515	PD15-240505	PD15-241212	PD15-241515	PD15-481212	PD15-481515
INPUT	VOLTAGE	DC12V(9~18V)		DC24V(18~36V)			DC48V(36~72V)	
	EFFICIENCY	80%		78%			84%	
OUTPUT	VOLTAGE [V]	±12	±15	±5	±12	±15	±12	±15
	CURRENT [A]	0.65	0.5	1.5	0.65	0.5	0.65	0.5
	REGULATION, LINE [mV]	60Max	75Max	25Max	60Max	75Max	60Max	75Max
	REGULATION, LOAD [mV]	600Max	750Max	250Max	600Max	750Max	600Max	750Max
	RIPPLE [mVp-p]	120Max	120Max	50Max	120Max	120Max	120Max	120Max
	RIPPLE, NOISE [mVp-p]	150Max	150Max	100Max	150Max	150Max	150Max	150Max
	TEMPERATURE DRIFT -10~+50°C [mV]	0.03% / 1°C						
PROTECTION CIRCUIT	OVER CURRENT PROTECTION	Works at over 105% of rating and recovers automatically.						
	OVER CURRENT PROTECTION	Works at over 115%~ 140% of rating.						
ELECTRICALLY ISOLATED	INPUT-OUTPUT	AC500V 1 minute, current 10mA, DC500V More Than 100MΩ						
	INPUT-CASE	AC500V 1 minute, current 10mA, DC500V More Than 100MΩ						
	OUTPUT-CASE	AC500V 1 minute, current 10mA, DC500V More Than 100MΩ						
ENVIRONMENT	OPERATING TEMP AND HUMID	-20~+70°C, 20~ 95%RH (Non Condensing)						
	STORAGE TEMP AND HUMID	-40~+85°C, 20~ 95%RH (Non Condensing)						
	VIBRATION	10~55Hz at 1G, 3minutes period for 60 minutes each along X,Y and Z axis						
	IMPACT	10G for 20ms once on each X, Y and Z axis						

PD15-S EXTERNAL VIEW



- * Weight : 55g
- * Tolerance : ±0.5
- * Dimensions in mm